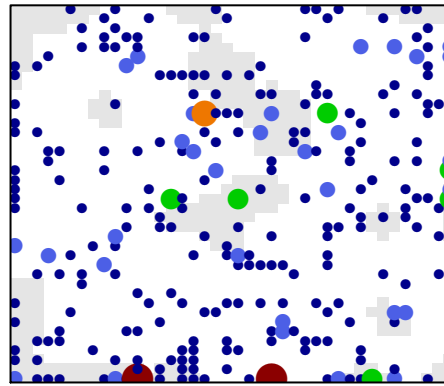


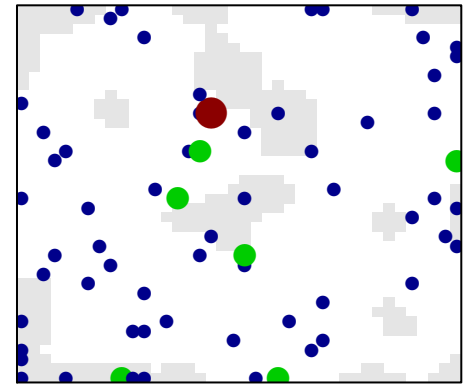
Gastric cancer

all genes

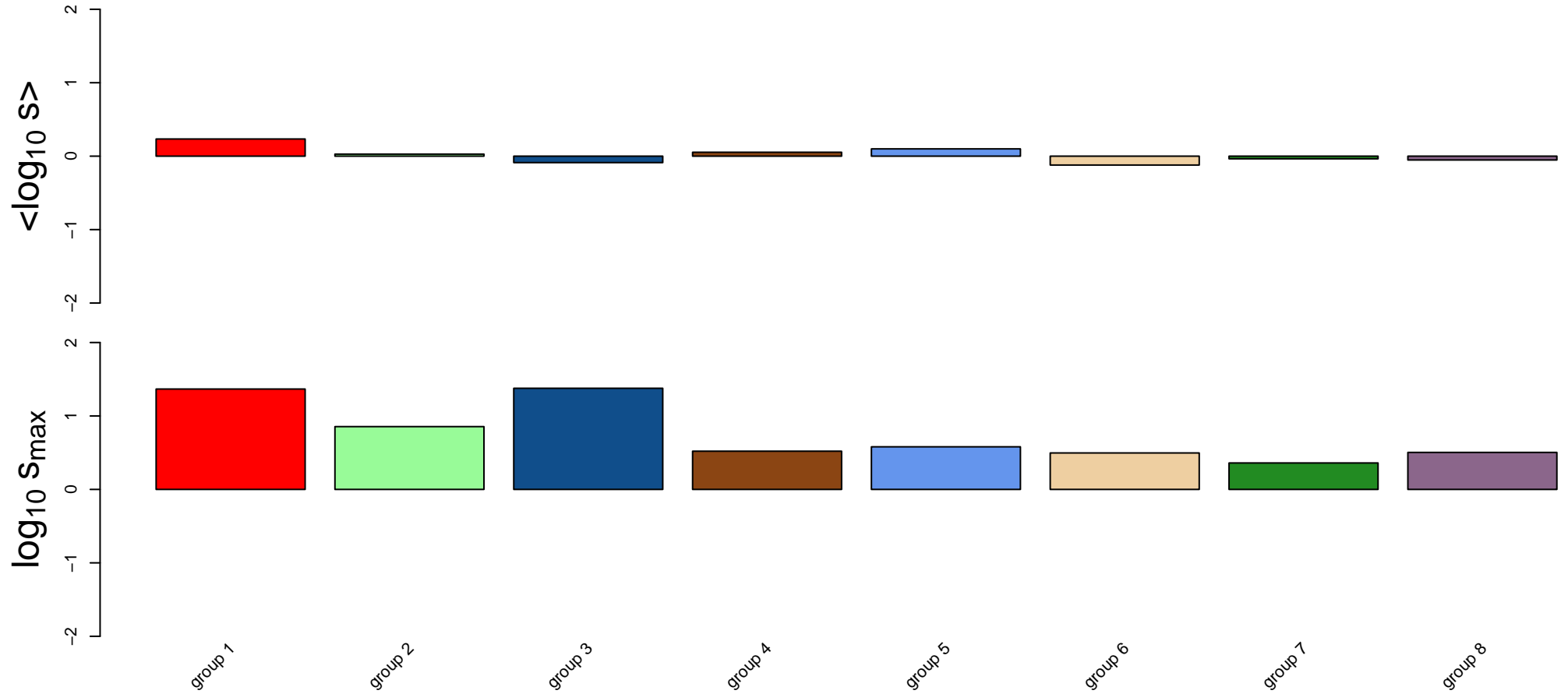


maximum = 5

sink node genes



maximum = 3



Gastric_cancer genes with data

Normal epithelia

Chronic gastritis

Atrophic gastritis

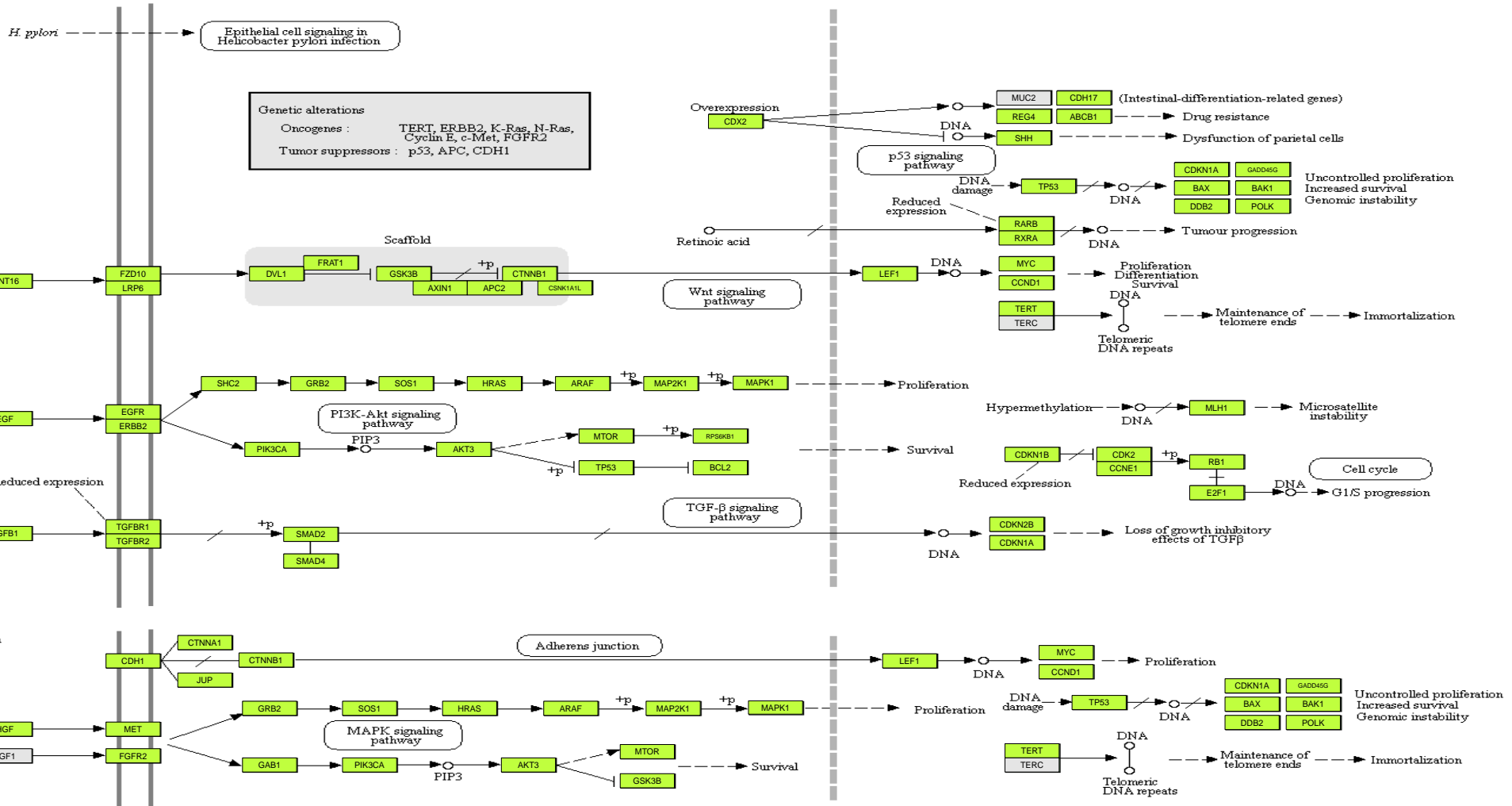
Intestinal metaplasia

Dysplasia

Adenocarcinoma

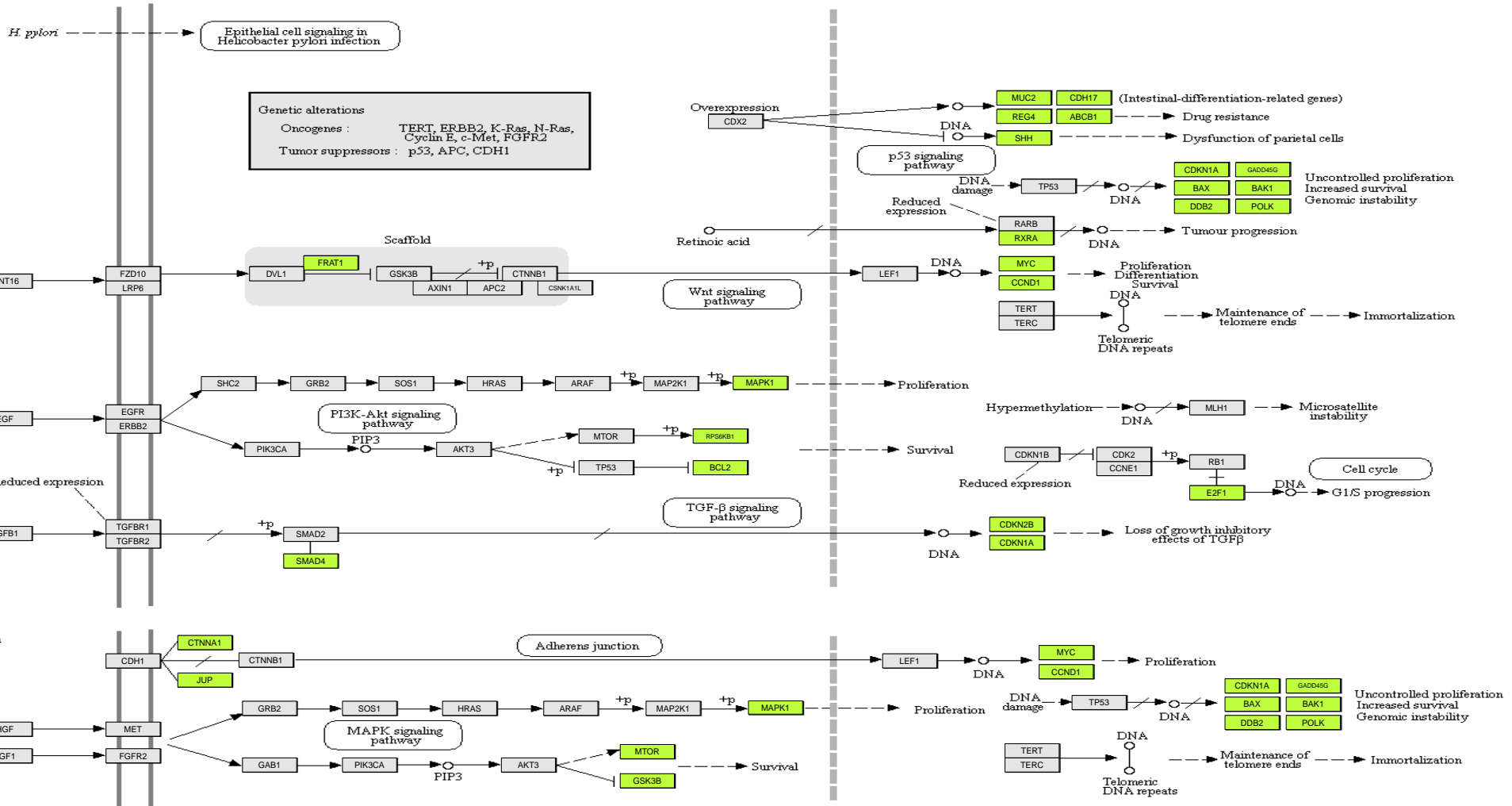
Normal gastric mucosa

Diffuse-type adenocarcinoma



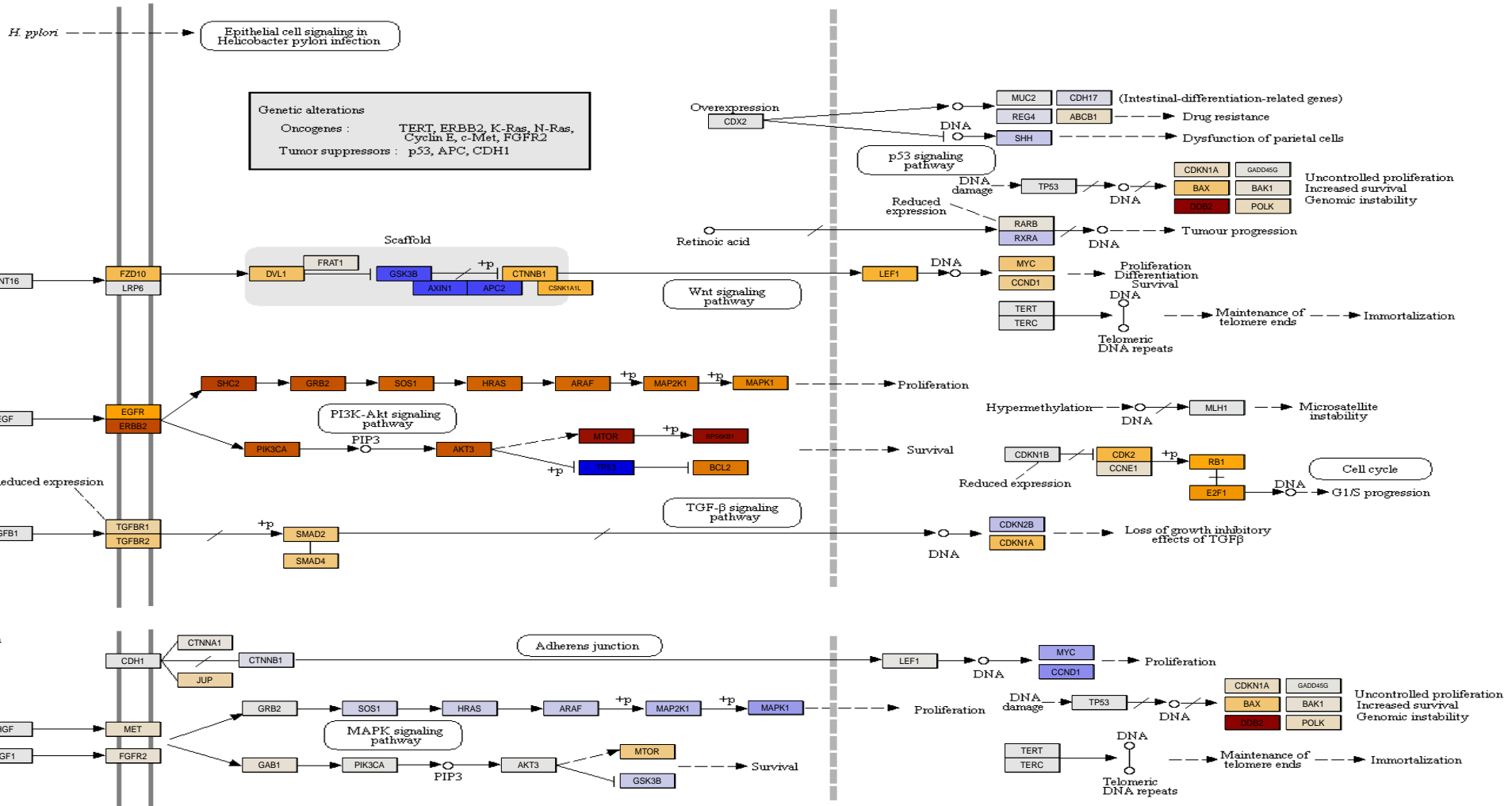
Gastric_cancer sink nodes

Normal epithelia
 ↓
 Chronic gastritis
 ↓
 Atrophic gastritis
 ↓
 Intestinal metaplasia
 ↓
 Dysplasia
 ↓
 Adenocarcinoma
 ↓
 Normal gastric mucosa
 ↓
 Diffuse-type adenocarcinoma



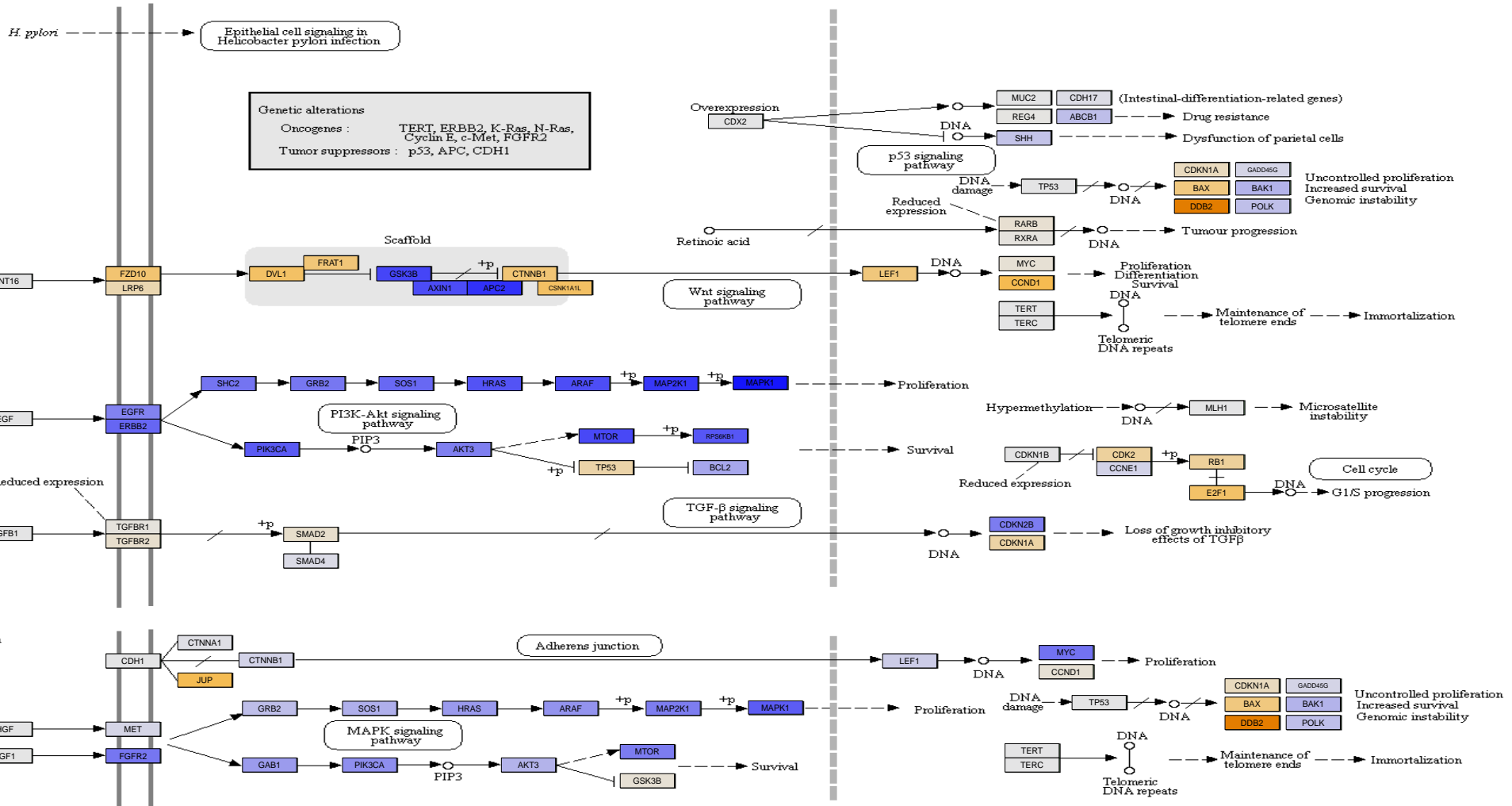
Gastric_cancer_group_1

Normal epithelia
 ↓
 Chronic gastritis
 ↓
 Atrophic gastritis
 ↓
 Intestinal metaplasia
 ↓
 Dysplasia
 ↓
 Adenocarcinoma
 ↓
 Normal gastric mucosa
 ↓
 Diffuse-type adenocarcinoma



Gastric_cancer_group_2

Normal epithelia
 ↓
 Chronic gastritis
 ↓
 Atrophic gastritis
 ↓
 Intestinal metaplasia
 ↓
 Dysplasia
 ↓
 Adenocarcinoma
 ↓
 Normal gastric mucosa
 ↓
 Diffuse-type adenocarcinoma



Gastric_cancer_group_3

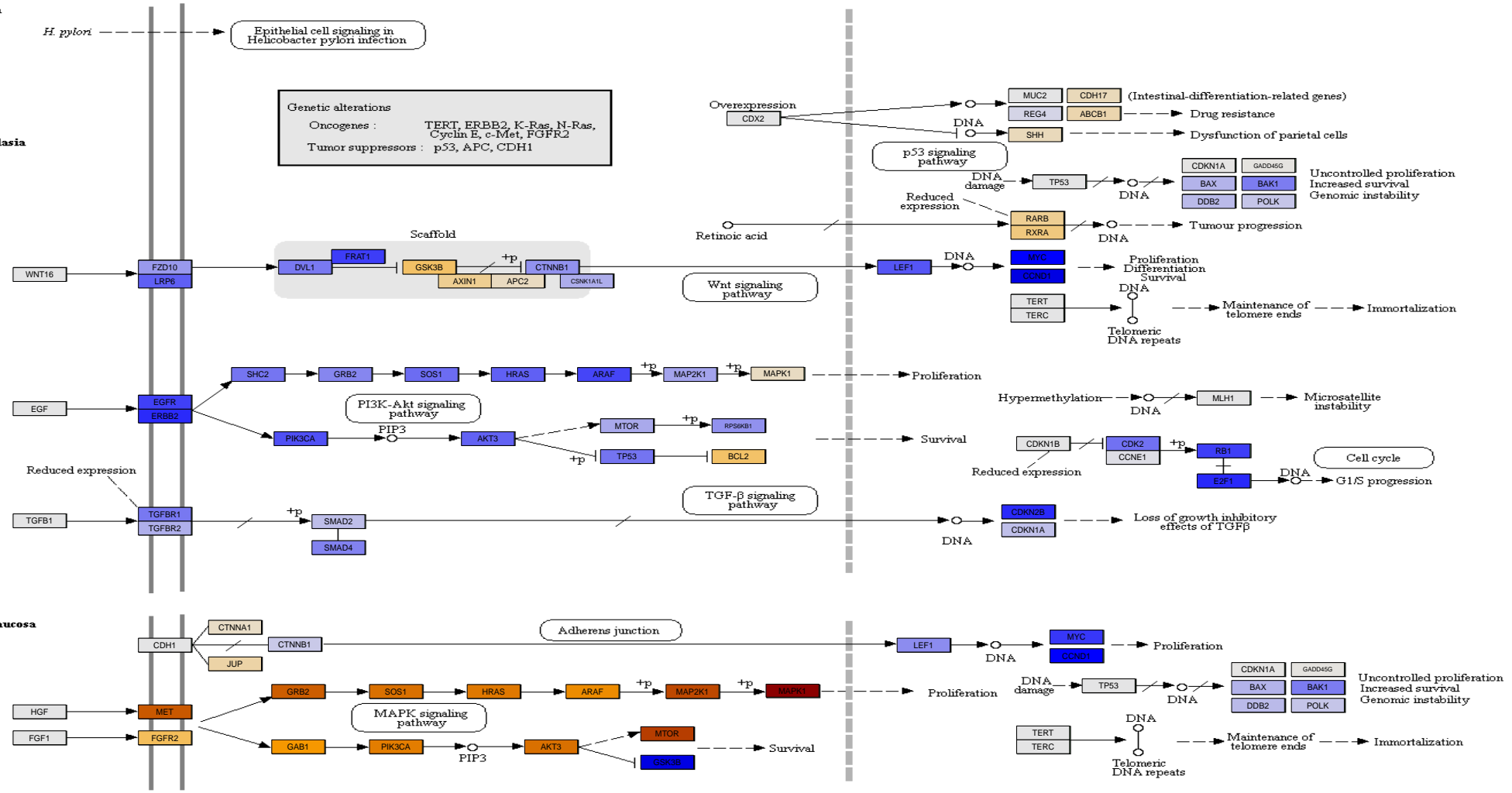
Normal epithelia
 ↓
 Chronic gastritis
 ↓
 Atrophic gastritis
 ↓
 Intestinal metaplasia

Dysplasia

Adenocarcinoma

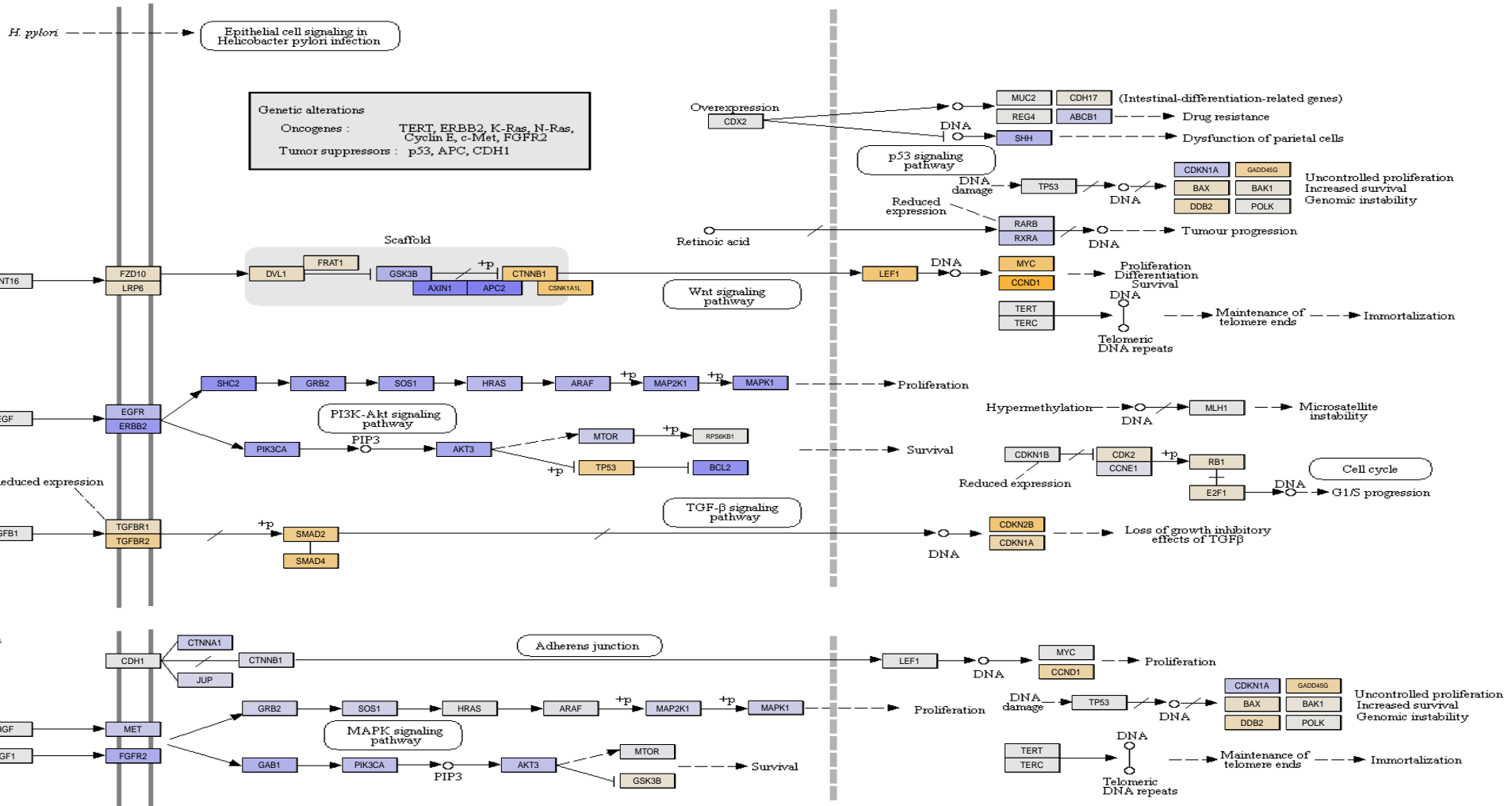
Normal gastric mucosa

Diffuse-type adenocarcinoma



Gastric_cancer_group_4

Normal epithelia
 ↓
 Chronic gastritis
 ↓
 Atrophic gastritis
 ↓
 Intestinal metaplasia
 ↓
 Dysplasia
 ↓
 Adenocarcinoma
 ↓
 Normal gastric mucosa
 ↓
 Diffuse-type adenocarcinoma



Gastric_cancer_group_5

Normal epithelia

Chronic gastritis

Atrophic gastritis

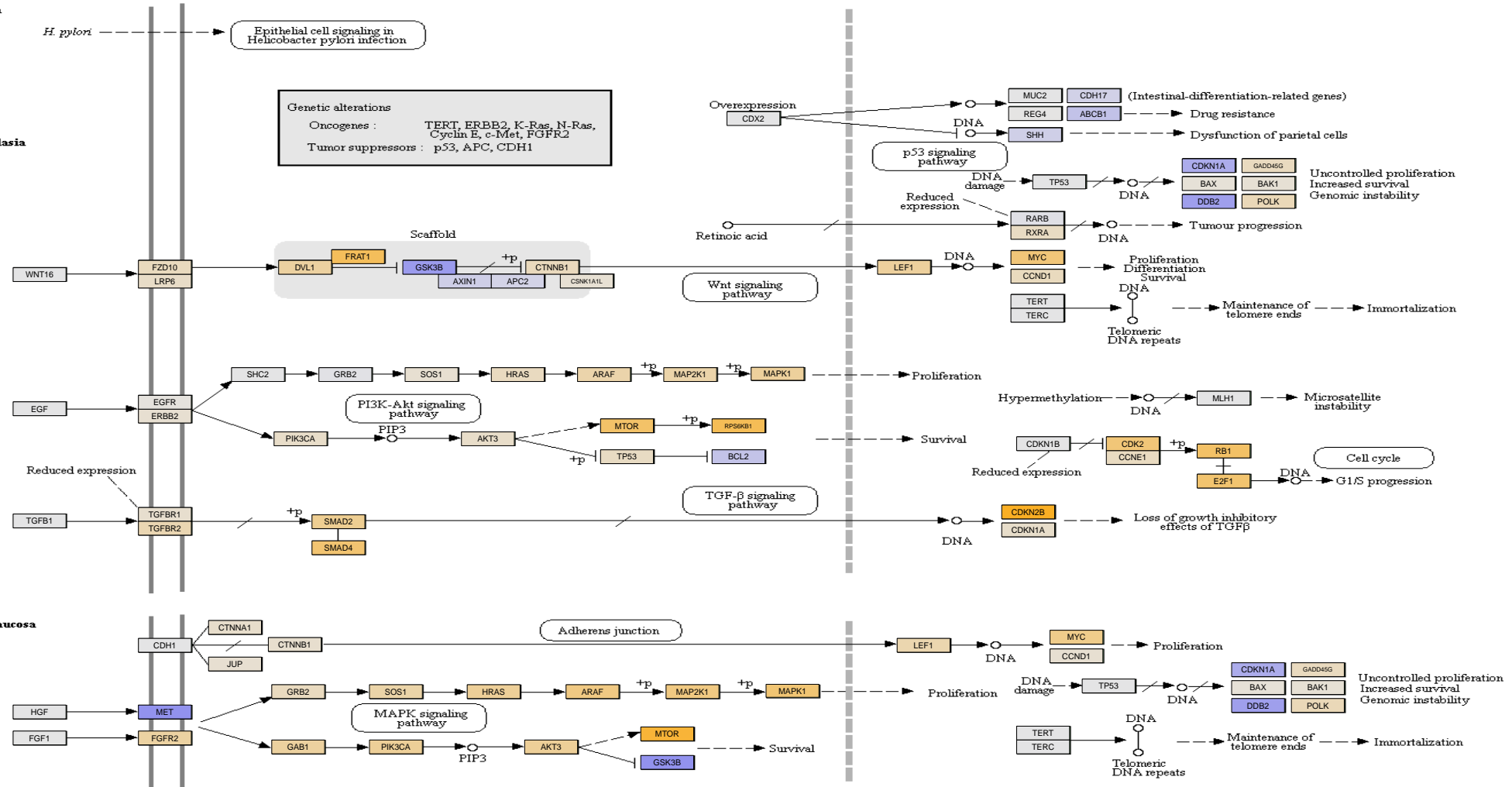
Intestinal metaplasia

Dysplasia

Adenocarcinoma

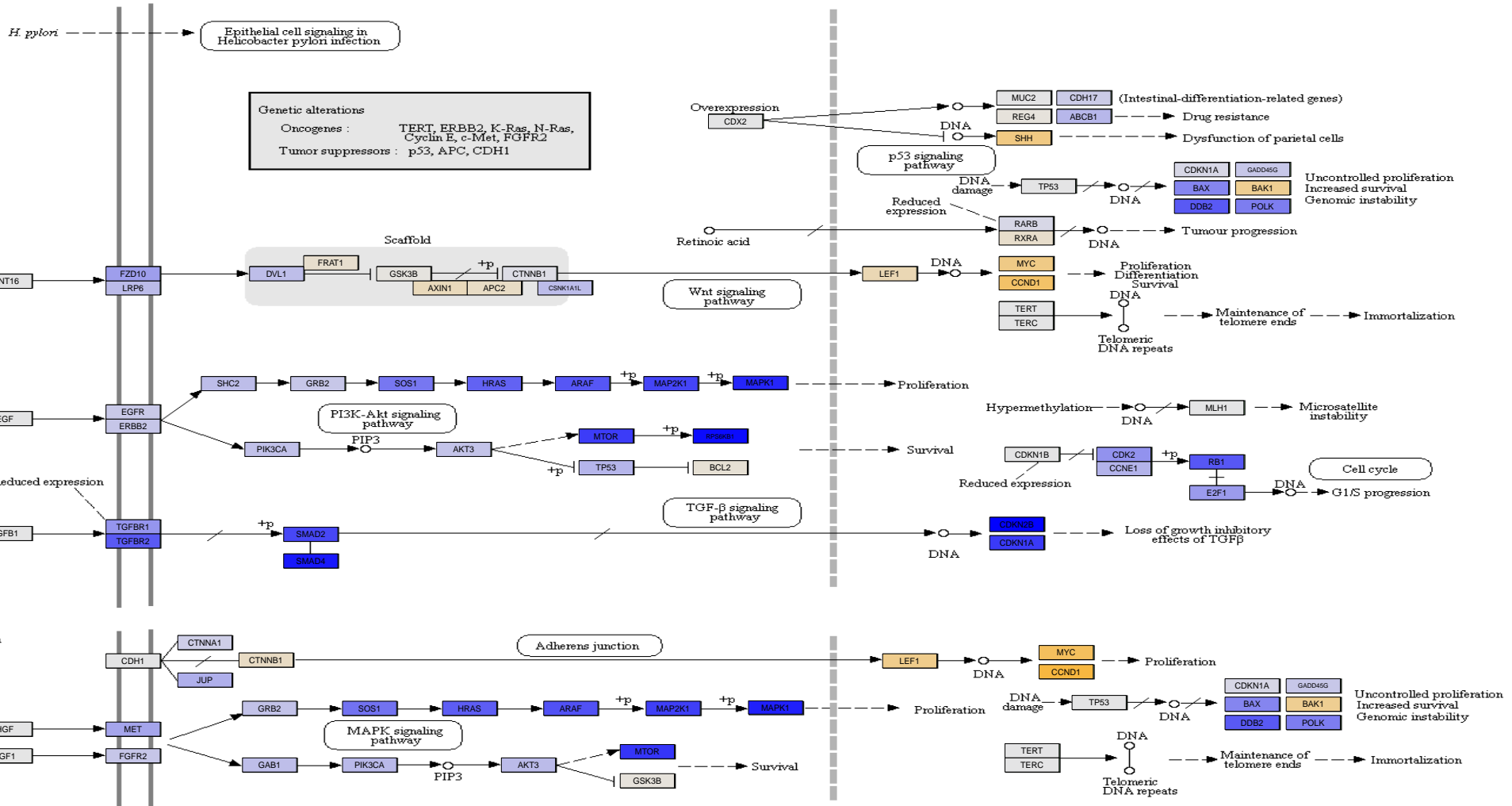
Normal gastric mucosa

Diffuse-type adenocarcinoma



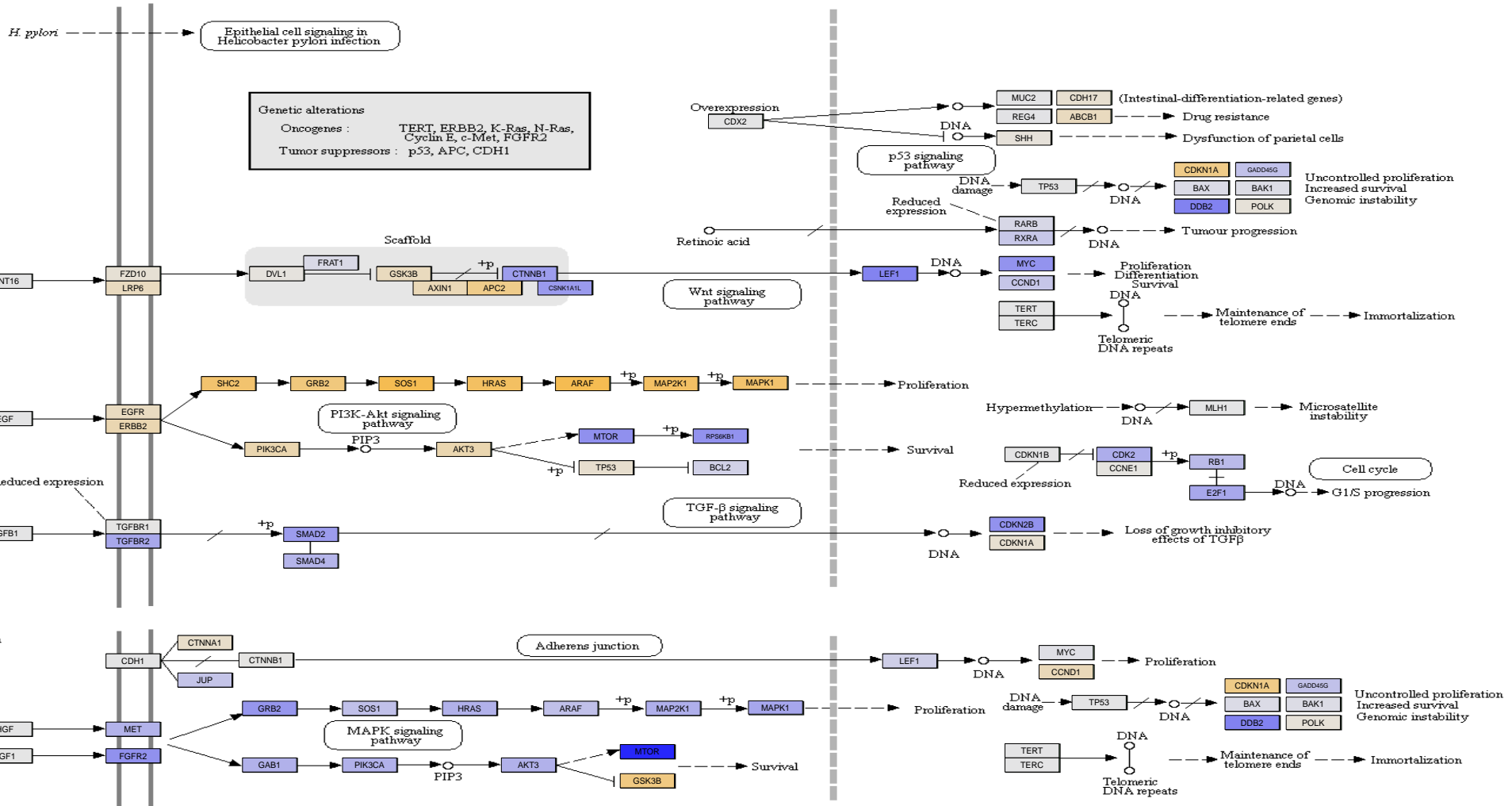
Gastric_cancer_group.6

Normal epithelia
 ↓
 Chronic gastritis
 ↓
 Atrophic gastritis
 ↓
 Intestinal metaplasia
 ↓
 Dysplasia
 ↓
 Adenocarcinoma
 ↓
 Normal gastric mucosa
 ↓
 Diffuse-type adenocarcinoma



Gastric_cancer group 7

Normal epithelia
 ↓
 Chronic gastritis
 ↓
 Atrophic gastritis
 ↓
 Intestinal metaplasia
 ↓
 Dysplasia
 ↓
 Adenocarcinoma
 ↓
 Normal gastric mucosa
 ↓
 Diffuse-type adenocarcinoma



Gastric_cancer_group.8

Normal epithelia
 ↓
 Chronic gastritis
 ↓
 Atrophic gastritis
 ↓
 Intestinal metaplasia
 ↓
 Dysplasia
 ↓
 Adenocarcinoma
 ↓
 Normal gastric mucosa
 ↓
 Diffuse-type adenocarcinoma

